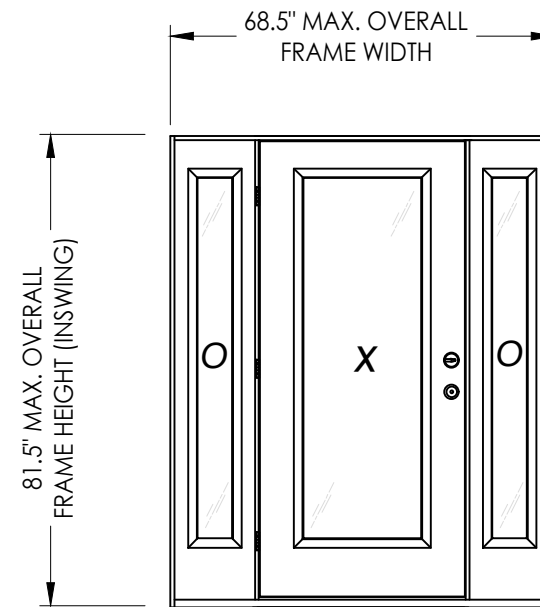
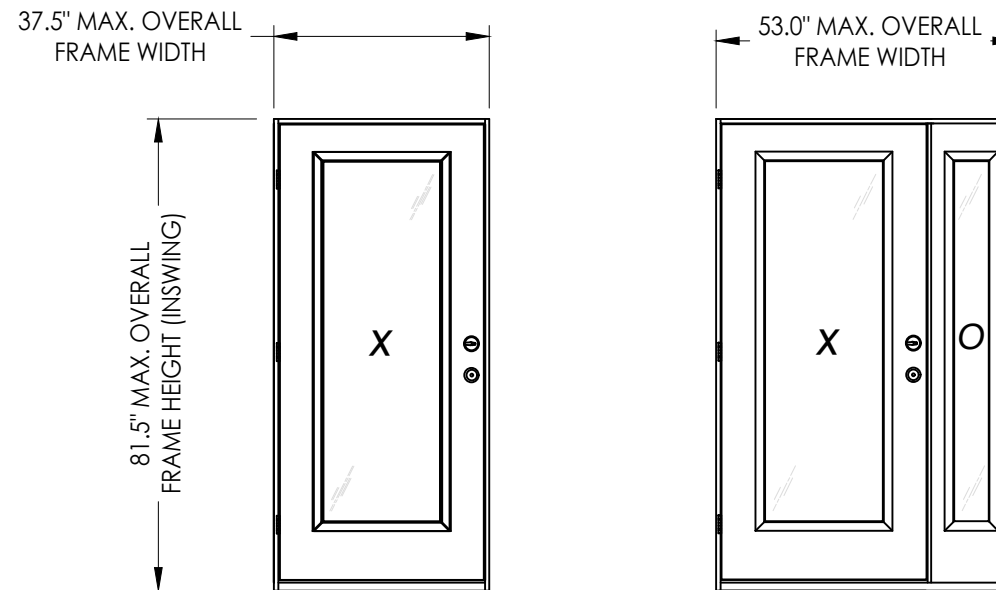


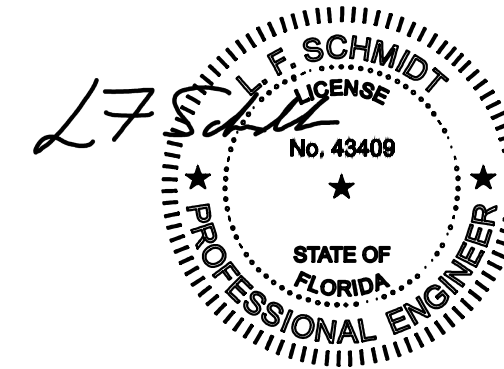


GLAZED STEEL ENTRY DOOR SINGLES w/ or w/out SIDELITES

**INSWING
"NON-IMPACT"**



CONTINUOUS HEAD & SILL



This item has been digitally signed and sealed by L. F. Schmidt, P.E. on the date adjacent to the seal. Printed copies of this document are not considered signed and sealed and the signature must be verified on any electronic copies.

THIS PRODUCT APPROVAL IS VALID ONLY FOR THE STATE OF FLORIDA

GENERAL NOTES

1. This product has been evaluated and is in compliance with the 8th Edition (2023) Florida Building Code (FBC) structural requirements excluding the "High Velocity Hurricane Zone" (HVHZ).
2. Product anchors shall be as listed and spaced as shown on details. Anchor embedment to base material shall be beyond wall dressing or stucco.
3. When used in areas requiring wind borne debris protection, this product is required to be protected with an impact resistant covering that complies with FBC Sections 1609.1.2 & R301.2.1.2.
4. For 2x stud framing construction, anchoring of these units shall be the same as that shown for 2x buck masonry construction.
5. Site conditions that deviate from the details of this drawing require further engineering analysis by a licensed engineer or registered architect.

TABLE OF CONTENTS

SHEET #	DESCRIPTION
1	Typical Elevations, Design Pressures & General Notes
2	Door Panel Details & Glazing Details
3	Sidelite Panel Details
4	Elevations
5	Horizontal & Vertical Cross Sections (2X Buck)
6	Horizontal & Vertical Cross Sections (1X Buck)
7	Horizontal & Vertical Cross Sections (Direct to Masonry)
8	Horizontal Cross Sections
9	Vertical Cross Sections
10	Buck Anchoring
11	Frame Anchoring & Hardware Details
12	Bill of Materials & Components

CONFIGURATION	MAX. FRAME DIMENSION	INTEGRAL MULLION WIDTH	DESIGN PRESSURE (PSF) INSWING	
			POSITIVE	NEGATIVE
X	37.5" x 81.5"	N/A	+30.0	-40.0
OX/XO	52.125" x 81.5"	1.625"	+30.0	-40.0
	53.0" x 81.5"	2.5"	+30.0	-40.0
OXO	66.75" x 81.5"	1.625"	+30.0	-40.0
	68.5" x 81.5"	2.5"	+30.0	-40.0

Documents Prepared By:
Lyndon F. Schmidt
P.E. No. 43409

RW BUILDING CONSULTANTS, INC.
P.O. Box 230, Valrico, FL 33595
Phone No.: 813.659.9197
FBPE Registry No. 9813

PRODUCT: DOORSCAPES STEEL DOOR

PART OR ASSEMBLY: TYPICAL ELEVATION, DESIGN PRESSURES & GENERAL NOTES

NO.	DATE	BY	REVISIONS
2	8/01/23	LFS	UPDATE TO 8TH ED. (2023) FBC
1	8/06/20	LFS	UPDATE TO 7TH ED. (2020) FBC

DATE: 1/21/19

SCALE: N.T.S.

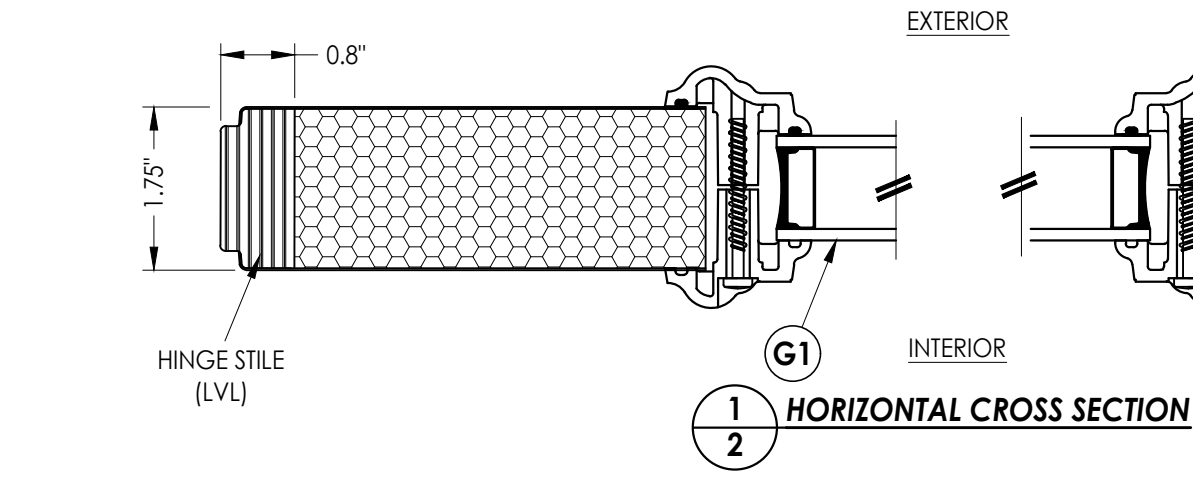
DWG. BY: MT

CHK. BY: LFS

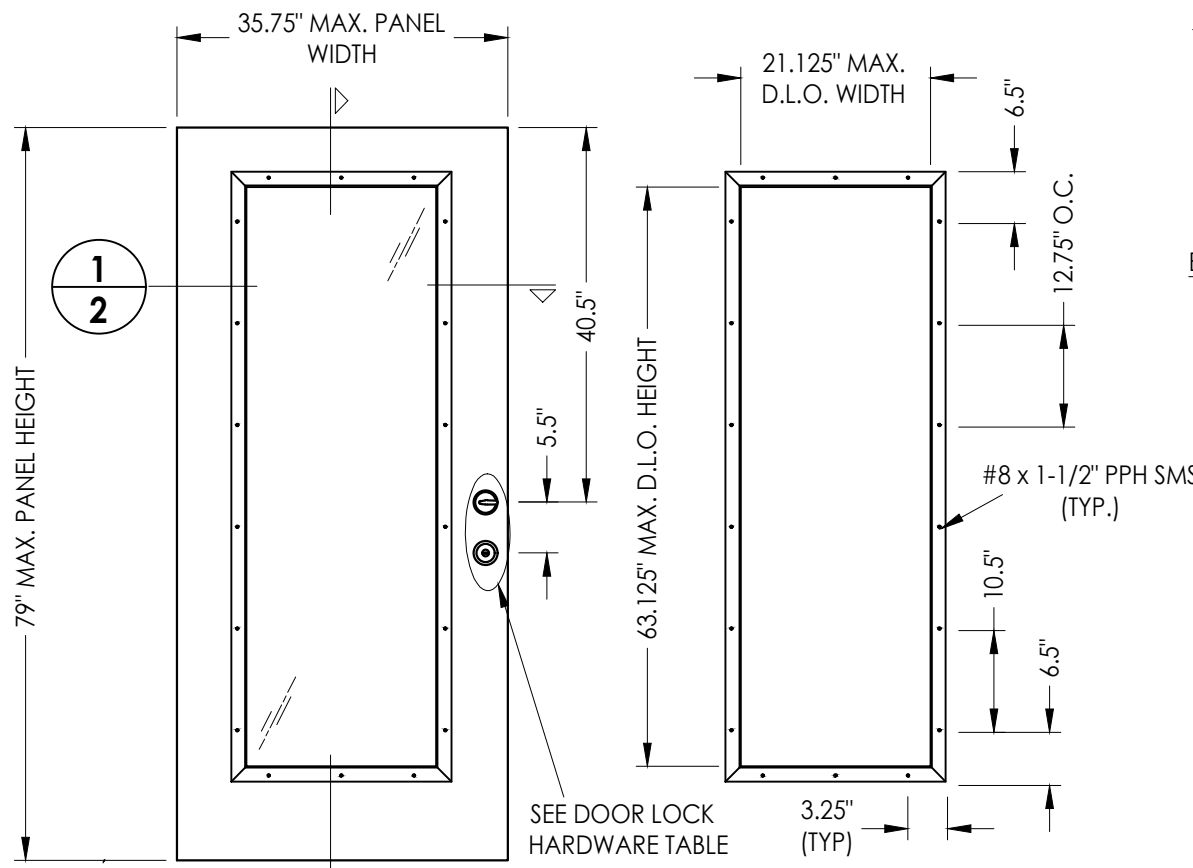
DRAWING NO.: FL-28832.3

SHEET 1 OF 12

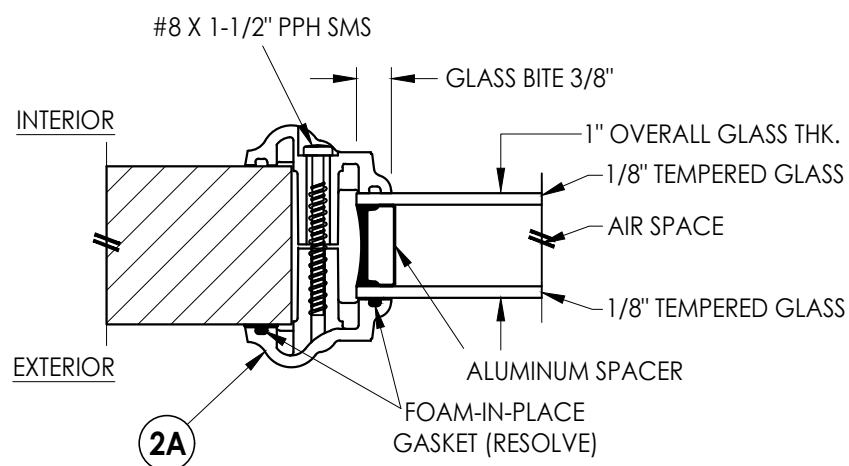
© 2019 R.W. BUILDING CONSULTANTS INC.



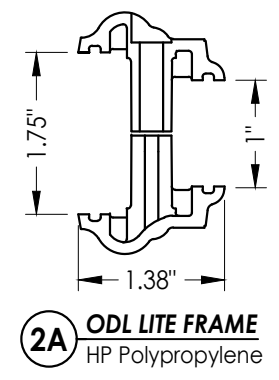
1
2 **HORIZONTAL CROSS SECTION**



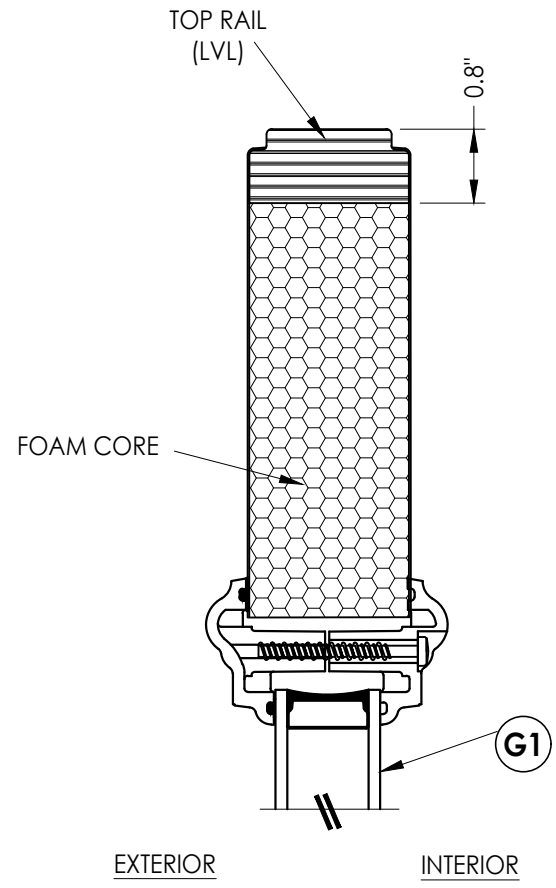
2
2 **DOOR PANEL**
Doorscapes



G1 **GLAZING DETAIL**
ODL LITE FRAME



2A **ODL LITE FRAME**
HP Polypropylene



2
2 **VERTICAL CROSS SECTION**

HARDWARE TABLE	
MANUFACTURER	MODEL
YALE	KNOB: YE SERIES (10) DEADBOLT: YE SERIES (82E)

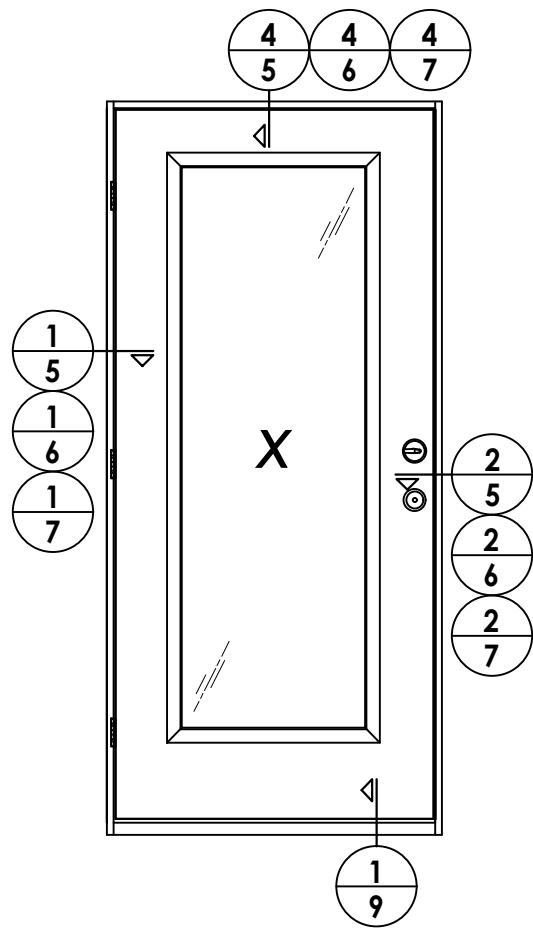
Documents Prepared By:
Lyndon F. Schmidt
P.E. No. 43409

RW BUILDING CONSULTANTS, INC.
P.O. Box 230, Valrico, FL 33595
Phone No.: 813.659.9197
FBPE Registry No. 9813

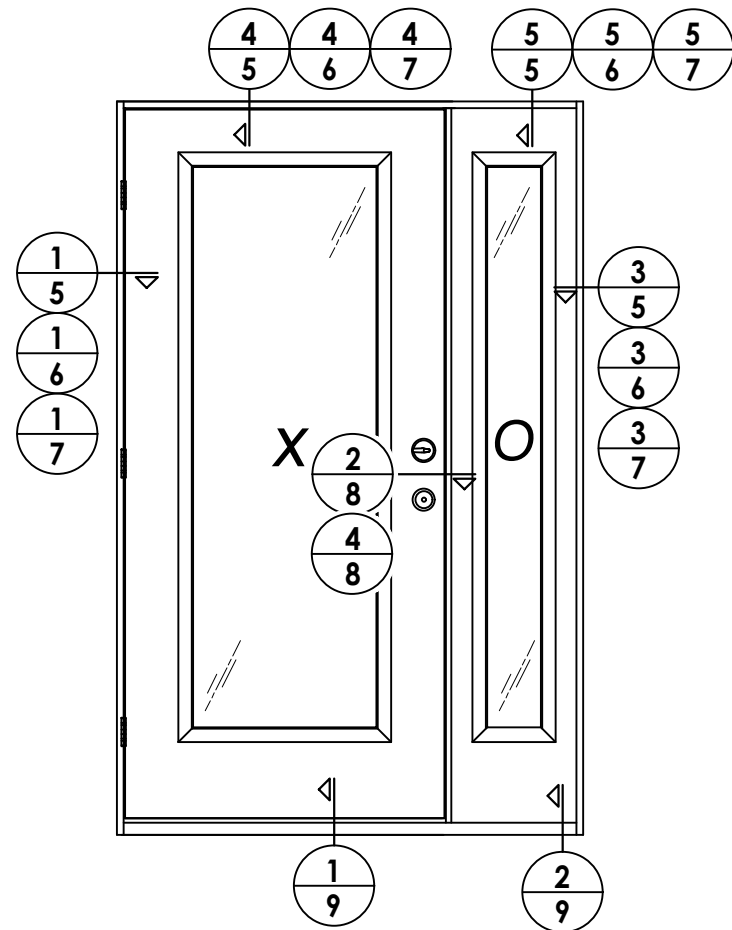
PRODUCT: DOORSCAPES STEEL DOOR
PART OR ASSEMBLY: DOOR PANEL DETAILS & GLAZING DETAILS

NO.	DATE	BY
2	8/01/23	LFS
1	8/06/20	FBC

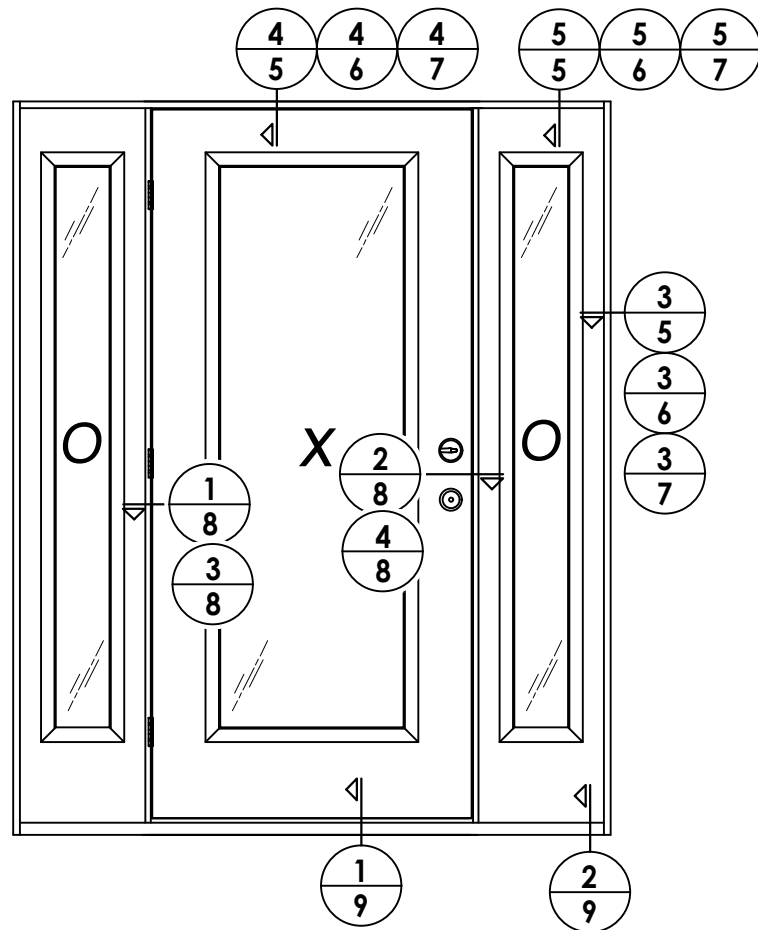
DATE: 1/21/19
SCALE: N.T.S.
DWG. BY: MT
CHK. BY: LFS
DRAWING NO.: FL-28832.3
SHEET 2 OF 12



ELEVATION
X



ELEVATION
XO / OX



ELEVATION
OXO

DATE: 1/21/19
 SCALE: N.T.S.
 DWG. BY: MT
 CHK. BY: LFS
 DRAWING NO.:
 FL-28832.3
 SHEET 4 OF 12

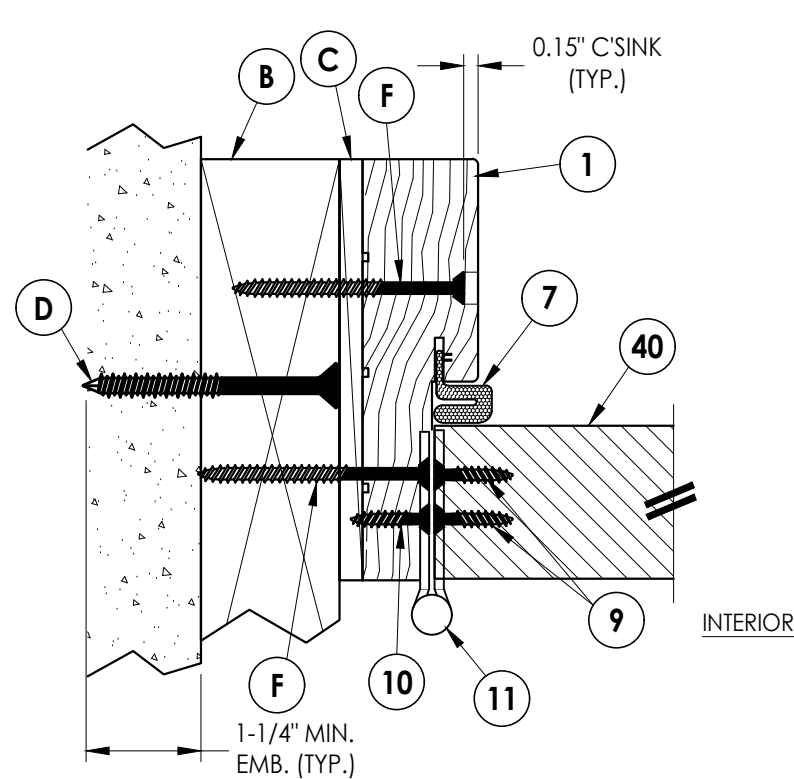
REVISIONS	
NO.	DATE
2	8/01/23 UPDATE TO 8TH ED. (2023) FBC LFS
1	8/06/20 UPDATE TO 7TH ED. (2020) FBC LFS
	BY

PRODUCT: DOORSCAPES
STEEL DOOR

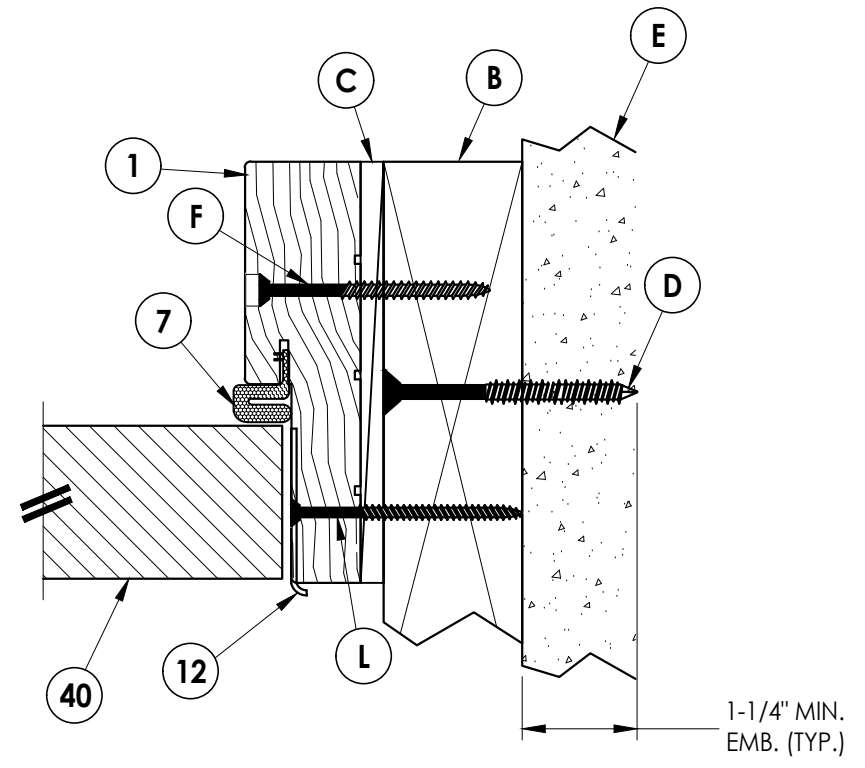
PART OR ASSEMBLY:
ELEVATIONS

Documents Prepared By:
Lyndon F. Schmidt
P.E. No. 43409

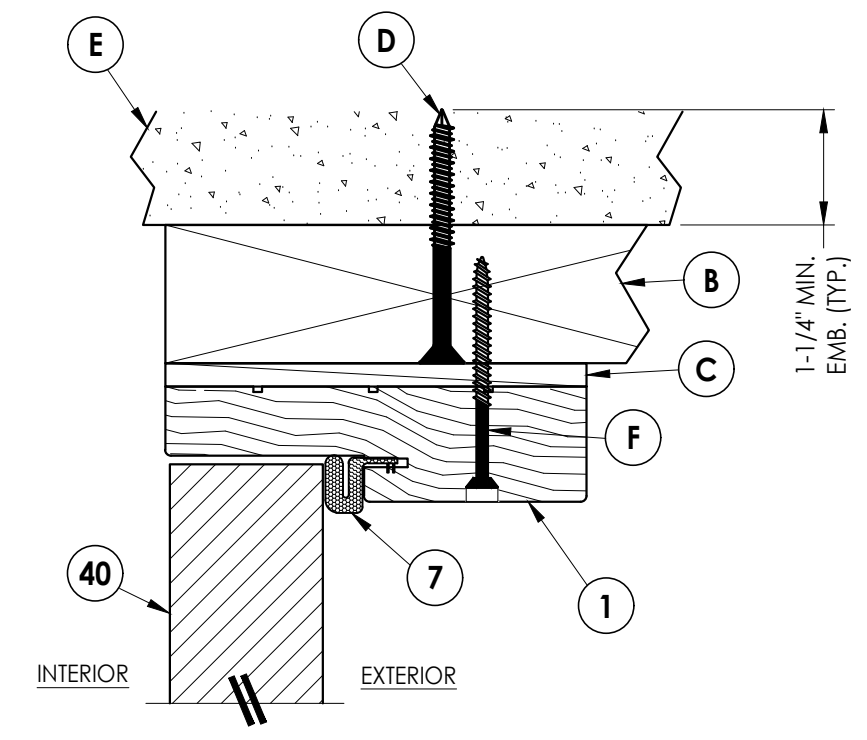
RW BUILDING CONSULTANTS, INC.
P.O. Box 230, Valrico, FL 33595
Phone No.: 813.659.9197
FBPE Registry No. 9813



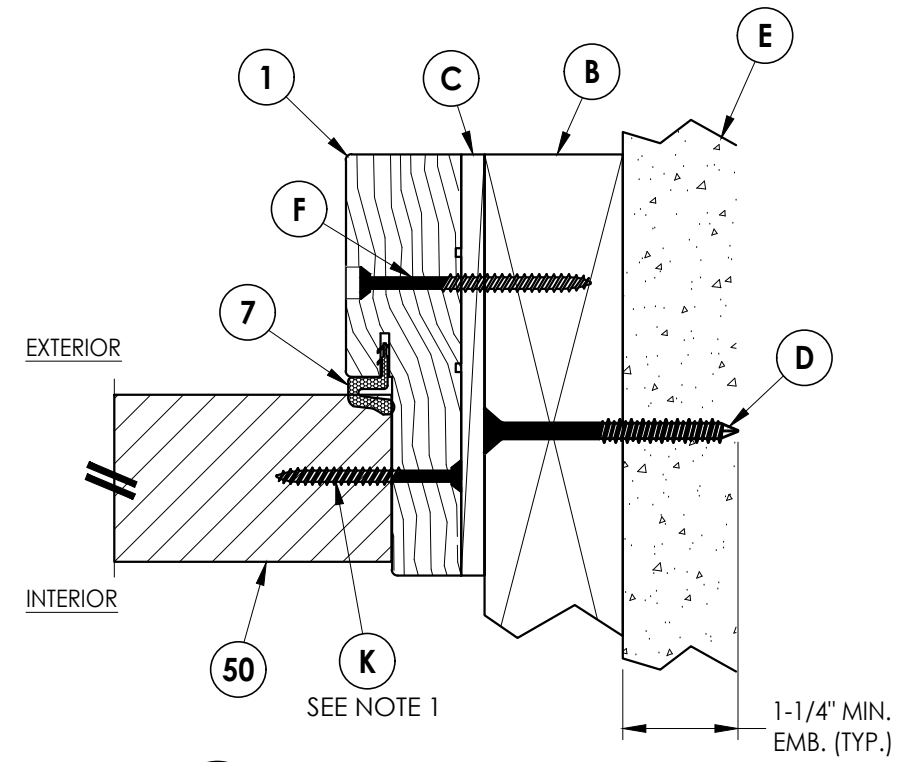
1 HORIZONTAL CROSS SECTION
5 Inswing
 2X Buck Construction



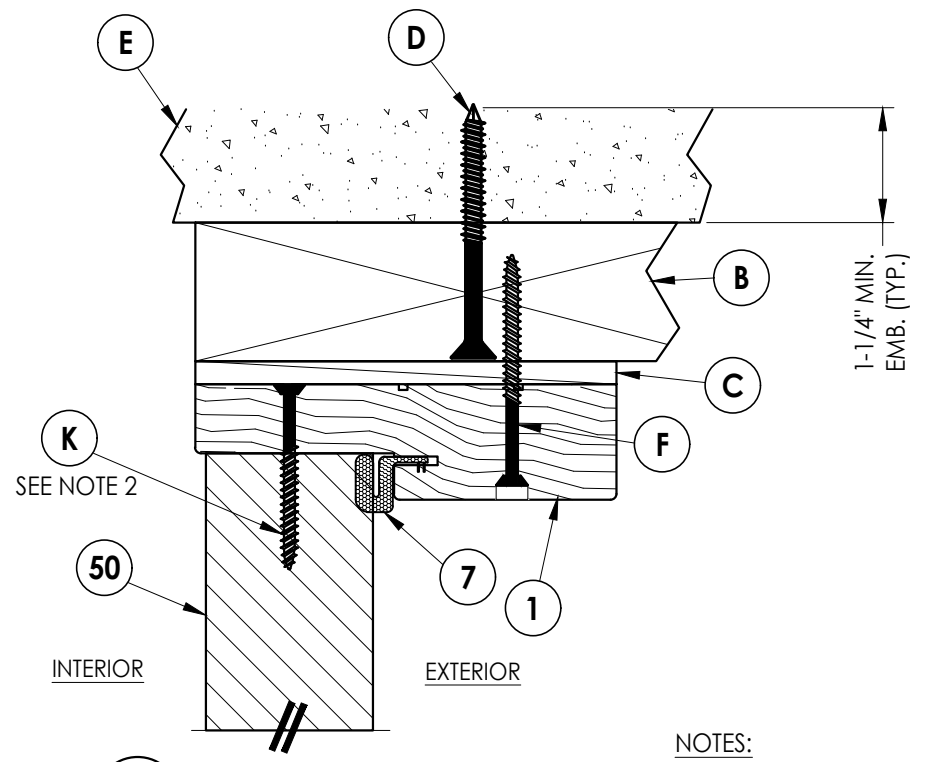
2 HORIZONTAL CROSS SECTION
5 Inswing
 2X Buck Construction



4 VERTICAL CROSS SECTION
5 Inswing
 2X Buck Construction



3 HORIZONTAL CROSS SECTION
5 Inswing
 2X Buck Construction

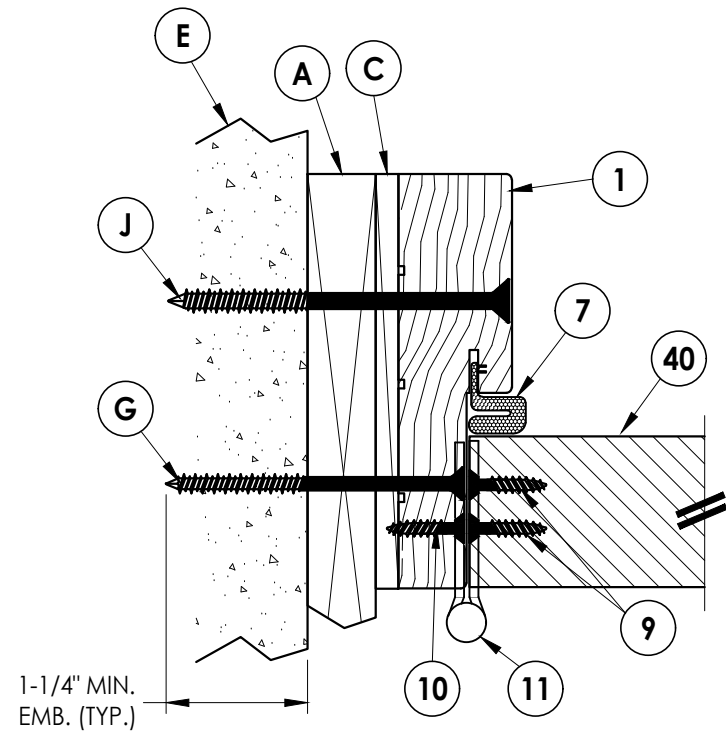


5 VERTICAL CROSS SECTION
5 Inswing
 2X Buck Construction

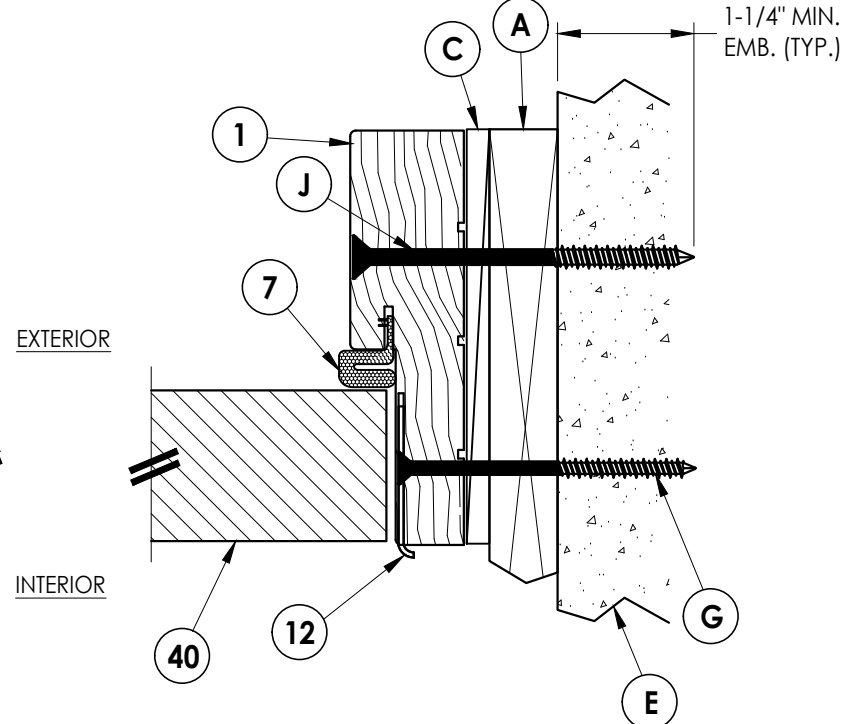
- NOTES:
- Sidelite attached @ 6" from each end plus 4 more screws equally spaced between (6 screws total per jamb).
 - Sidelite attached @ 3" from each end (2 screws total @ head).

Documents Prepared By: Lyndon F. Schmidt P.E. No. 43409		BUILDING CONSULTANTS, INC. P.O. Box 230, Valrico, FL 33595 Phone No.: 813.659.9197 FBPE Registry No. 9813	
PRODUCT: DOORSCAPES STEEL DOOR		PART OR ASSEMBLY: HORIZONTAL & VERTICAL CROSS SECTIONS (2X BUCK)	
DATE: 1/21/19		REVISIONS	
SCALE: N.T.S.		NO. DATE	
DWG. BY: MT		LFS	
CHK. BY: LFS		FBC	
DRAWING NO.: FL-28832.3		UPDATE TO 8TH ED. (2023)	
SHEET 5 OF 12		FBC	
		UPDATE TO 7TH ED. (2020)	
		BY	
		LFS	
		BY	
		LFS	

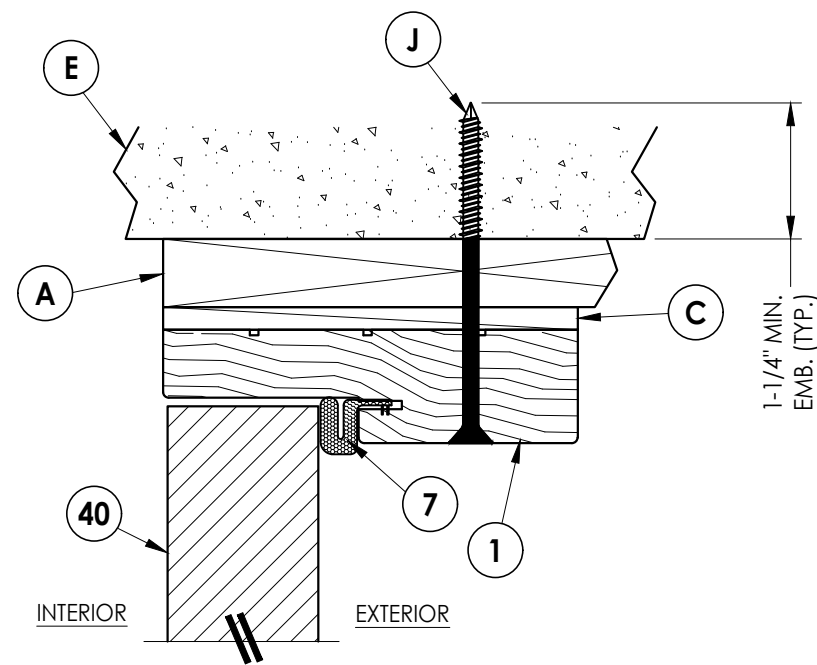
Z:\2023 FBC Drawings\DoorScapes, Inc\FL-28832 R3 Steel Door\FL28832.3-4.dwg



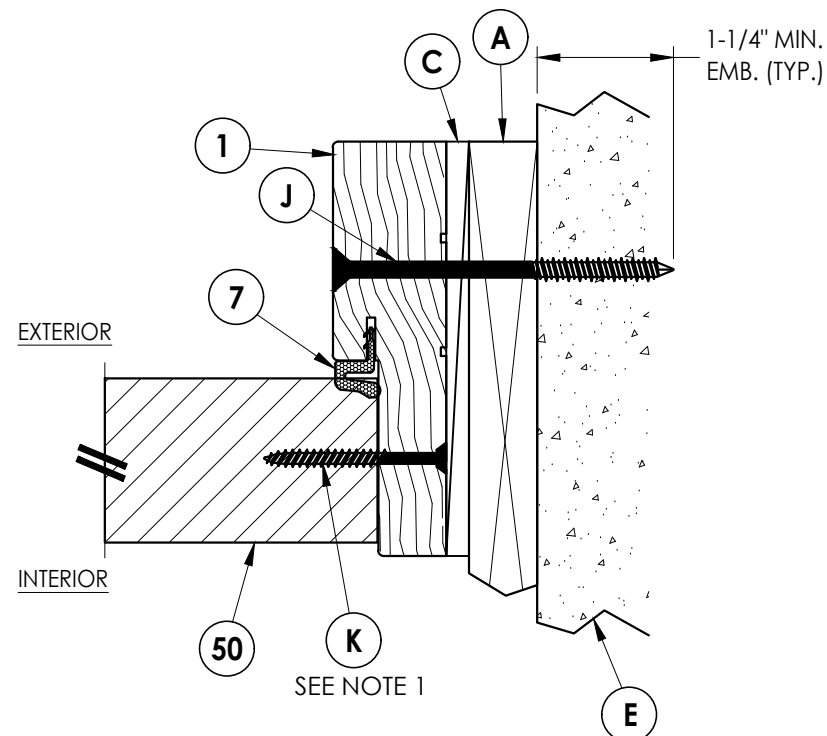
1 HORIZONTAL CROSS SECTION
6 Inswing
1X Buck Construction



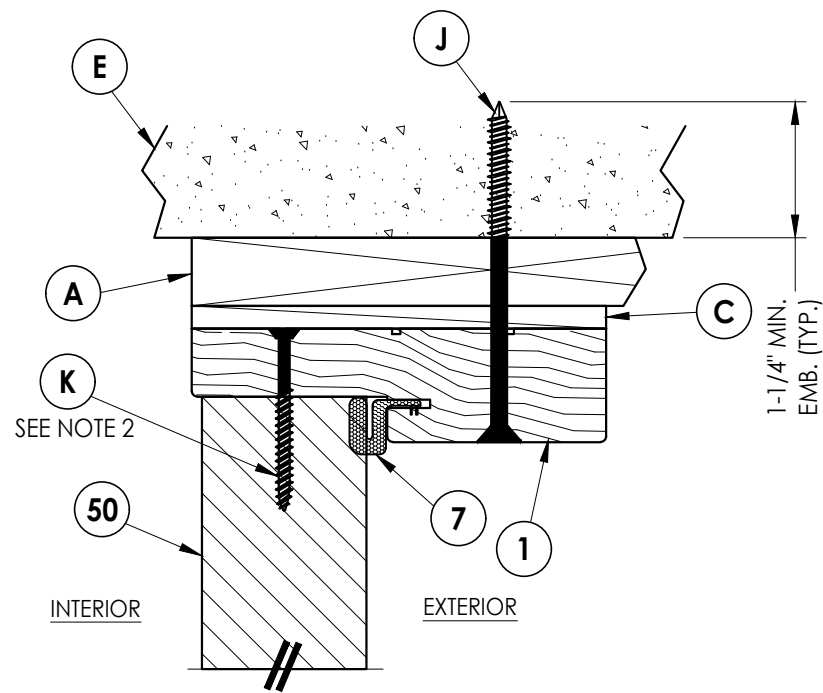
2 HORIZONTAL CROSS SECTION
6 Inswing
1X Buck Construction



4 VERTICAL CROSS SECTION
6 Inswing
1X Buck Construction



3 HORIZONTAL CROSS SECTION
6 Inswing
1X Buck Construction



5 VERTICAL CROSS SECTION
6 Inswing
1X Buck Construction

NOTES:

- Sidelite attached @ 6" from each end plus 4 more screws equally spaced between (6 screws total per jamb).
- Sidelite attached @ 3" from each end (2 screws total @ head).

Documents Prepared By:
Lyndon F. Schmidt
P.E. No. 43409

RW BUILDING CONSULTANTS, INC.
P.O. Box 230, Valrico, FL 33595
Phone No.: 813.659.9197
FBPE Registry No. 9813

PRODUCT: DOORSCAPES
STEEL DOOR

PART OR ASSEMBLY:
HORIZONTAL & VERTICAL
CROSS SECTIONS (1X BUCK)

NO.	DATE	REVISIONS	BY
2	8/01/23	UPDATE TO 8TH ED. (2023) FBC	LFS
1	8/06/20	UPDATE TO 7TH ED. (2020) FBC	LFS

DATE: 1/21/19

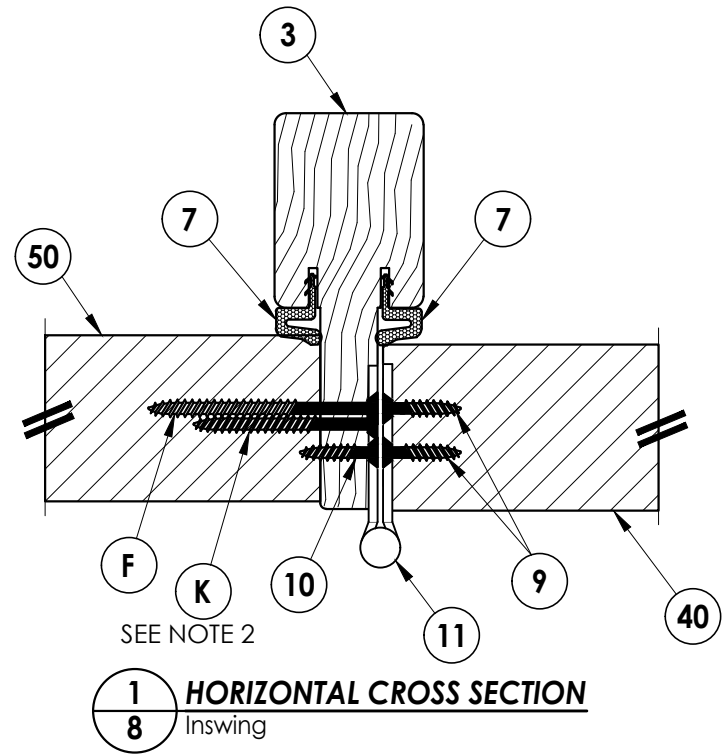
SCALE: N.T.S.

DWG. BY: MT

CHK. BY: LFS

DRAWING NO.: FL-28832.3

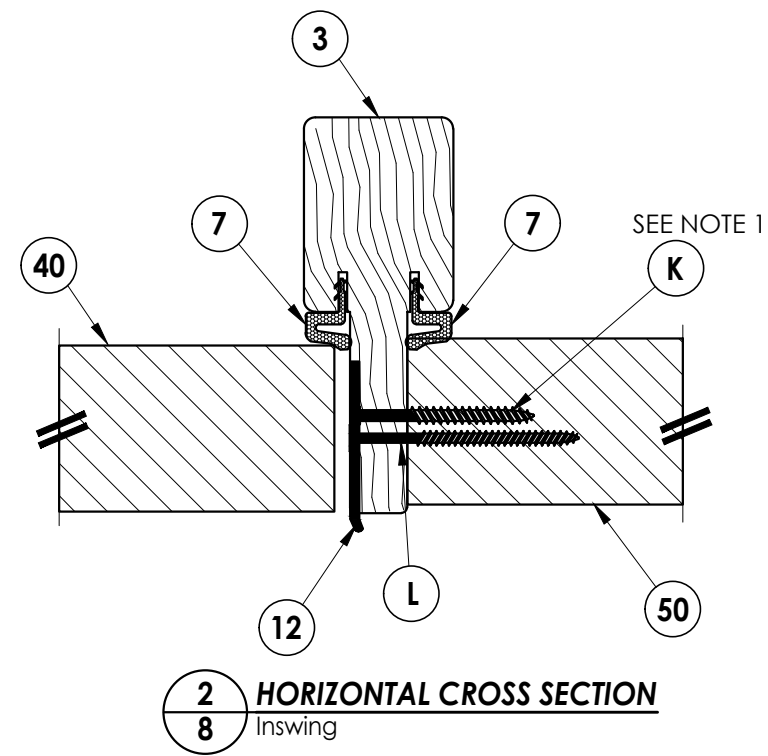
SHEET 6 OF 12



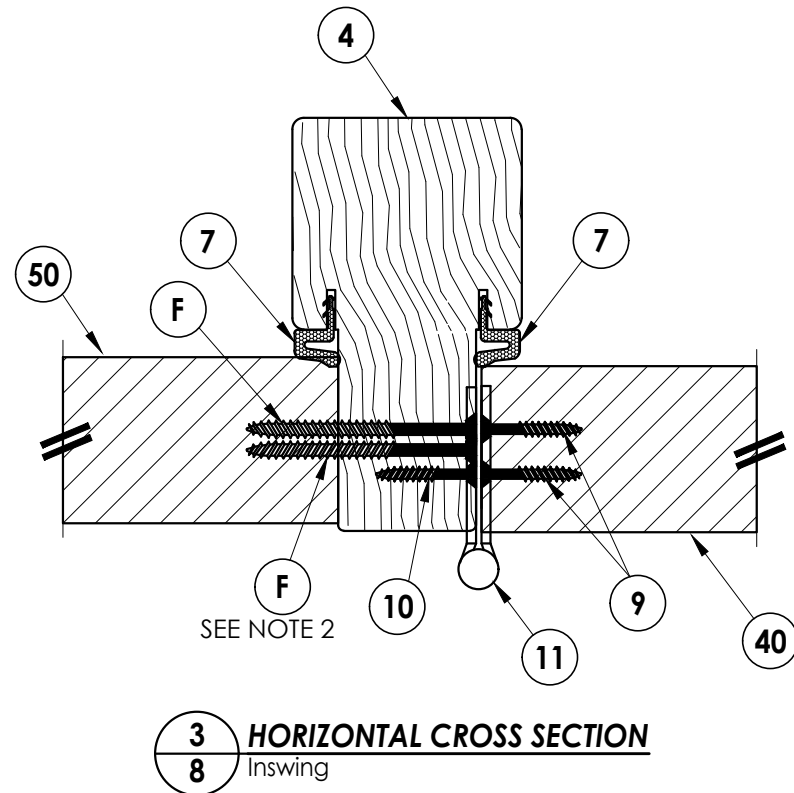
1
8 HORIZONTAL CROSS SECTION
Inswing

EXTERIOR

INTERIOR



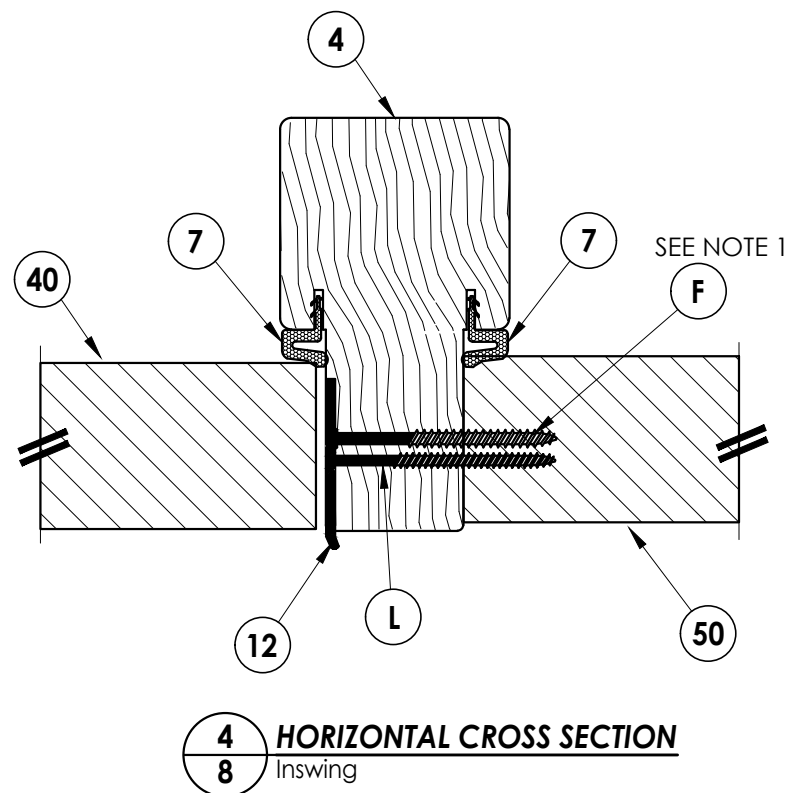
2
8 HORIZONTAL CROSS SECTION
Inswing



3
8 HORIZONTAL CROSS SECTION
Inswing

EXTERIOR

INTERIOR



4
8 HORIZONTAL CROSS SECTION
Inswing

NOTES:

- Sidelite attached @ 6" from each end plus 4 more screws equally spaced between (6 screws total per jamb).
- Sidelite attached w/ 1 screw equally spaced between each hinge (2 screws total per mullion).

Documents Prepared By:
Lyndon F. Schmidt
P.E. No. 43409

RW
BUILDING CONSULTANTS, INC.
P.O. Box 230, Valrico, FL 33595
Phone No.: 813.659.9197
FBPE Registry No. 9813

PRODUCT: DOORSCAPES
STEEL DOOR

PART OR ASSEMBLY:
HORIZONTAL CROSS
SECTIONS

NO.	DATE	REVISIONS
2	8/01/23	UPDATE TO 8TH ED. (2023) FBC
1	8/06/20	UPDATE TO 7TH ED. (2020) FBC

DATE: 1/21/19

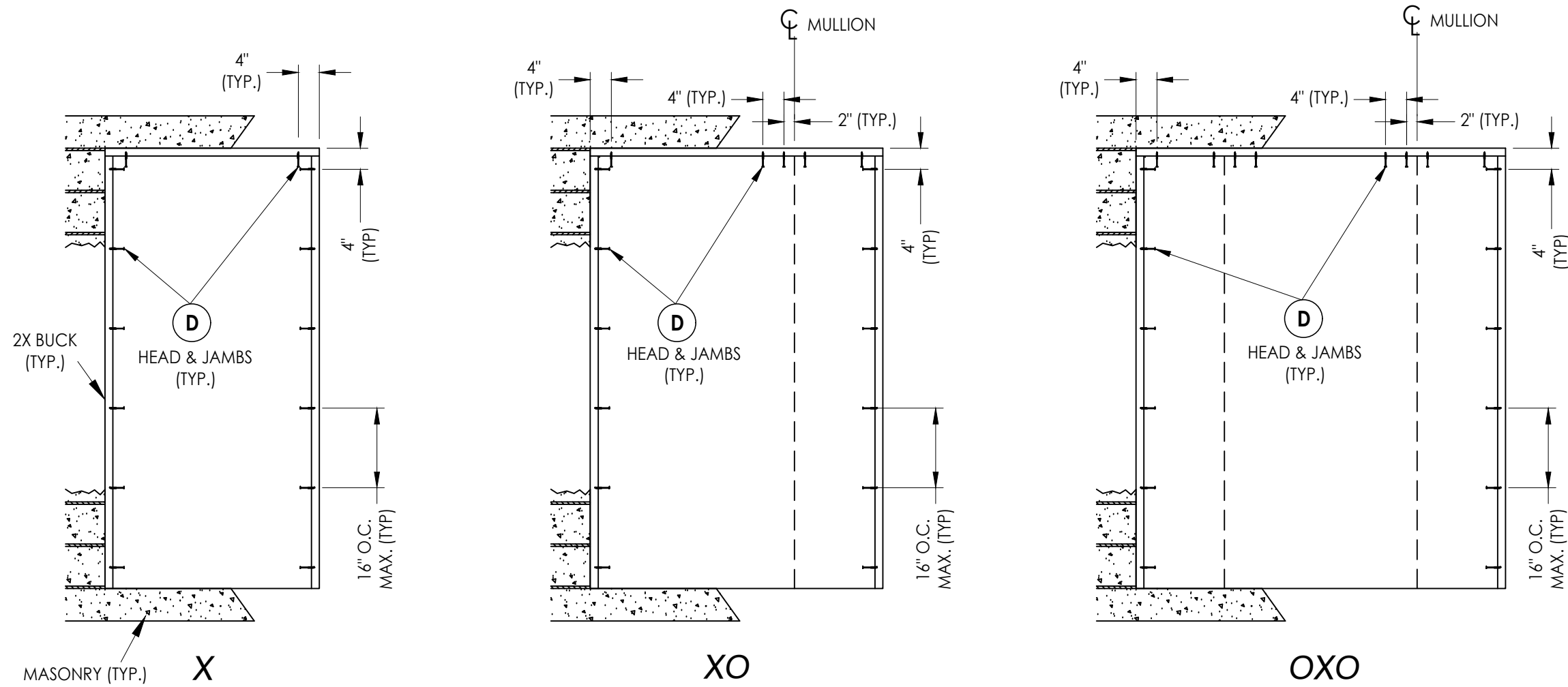
SCALE: N.T.S.

DWG. BY: MT

CHK. BY: LFS

DRAWING NO.:
FL-28832.3

SHEET 8 of 12



2X BUCK ANCHORING

DATE:	1/21/19
SCALE:	N.T.S.
DWG. BY:	MT
CHK. BY:	LFS
DRAWING NO.:	FL-28832.3
SHEET	10 OF 12

NO.	DATE	REVISIONS
2	8/01/23	UPDATE TO 8TH ED. (2023) FBC
1	8/06/20	UPDATE TO 7TH ED. (2020) FBC

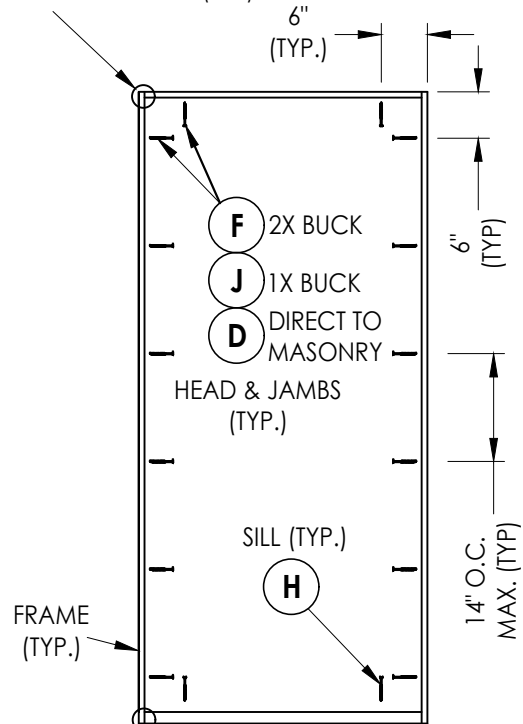
PRODUCT:	DOORSCAPES STEEL DOOR
PART OR ASSEMBLY:	BUCK ANCHORING

Documents Prepared By:
Lyndon F. Schmidt
P.E. No. 43409

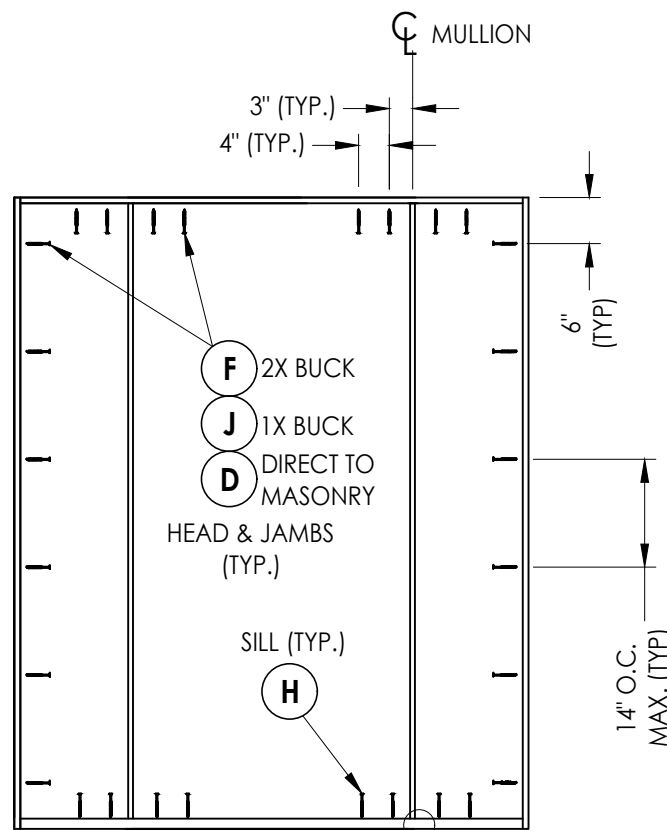
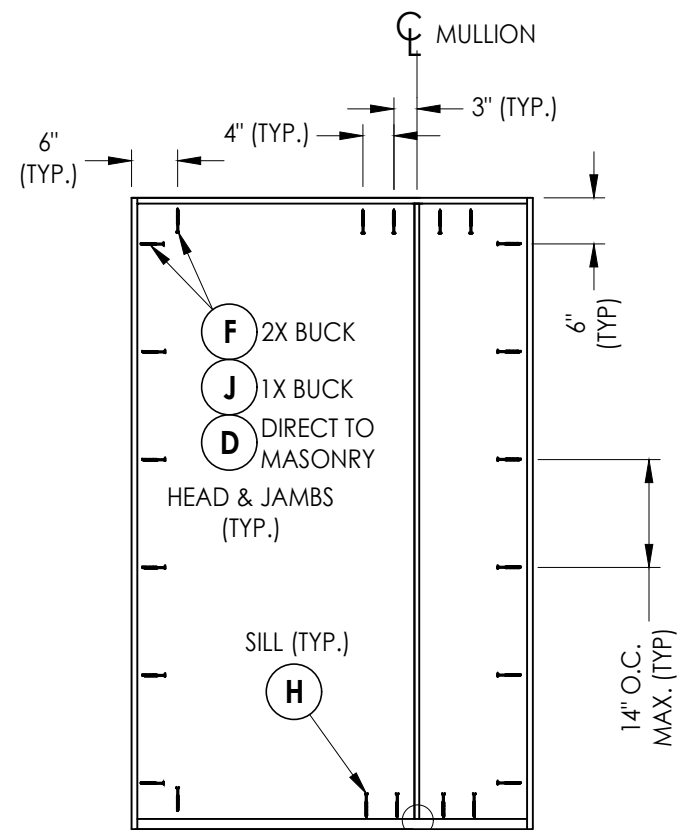
RW

BUILDING CONSULTANTS, INC.
P.O. Box 230, Valrico, FL 33595
Phone No.: 813.659.9197
FBPE Registry No. 9813

THE HEAD IS ATTACHED TO THE JAMB
w/ (4) #7 X 2" DRYWALL SCREWS (TYP.)



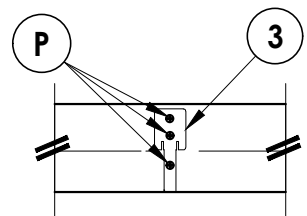
THE THRESHOLD IS ATTACHED TO THE JAMB
w/ (4) 7/16" X 2" STEEL CROWN STAPLES (TYP.)



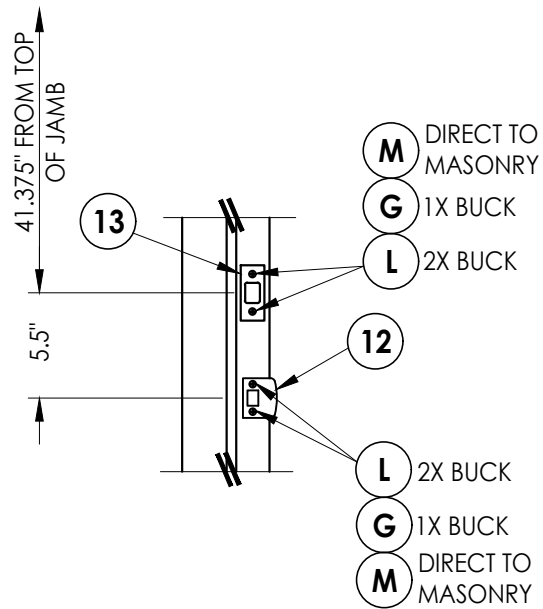
XO/OX SEE MULLION END
DETAIL (TYP.)

OXO SEE MULLION END
DETAIL (TYP.)

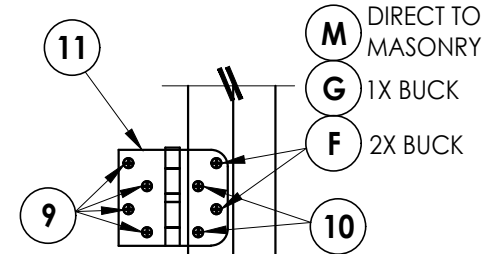
FRAME ANCHORING



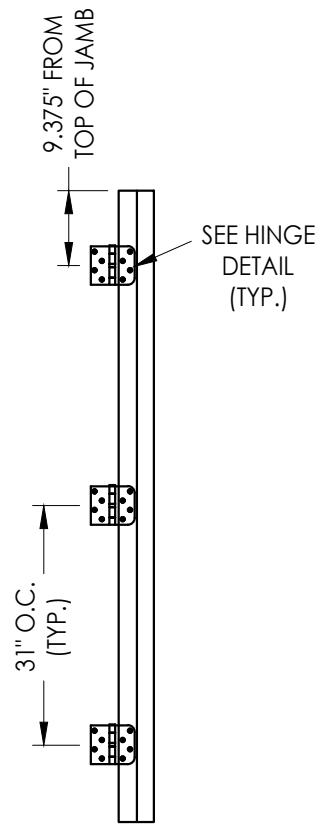
MULLION END DETAIL
(TYP. @ HEAD & SILL)



LATCH & DEADBOLT STRIKE DETAILS



HINGE DETAIL



HINGE JAMB

Documents Prepared By:
Lyndon F. Schmidt
P.E. No. 43409

RW BUILDING CONSULTANTS, INC.
P.O. Box 230, Valrico, FL 33595
Phone No.: 813.659.9197
FBPE Registry No. 9813

PRODUCT: DOORSCAPES
STEEL DOOR
PART OR ASSEMBLY:
FRAME ANCHORING
& HARDWARE DETAILS

NO.	DATE	REVISIONS
2	8/01/23	UPDATE TO 8TH ED. (2023) FBC LFS
1	8/06/20	UPDATE TO 7TH ED. (2020) FBC LFS

DATE: 1/21/19
SCALE: N.T.S.
DWG. BY: MT
CHK. BY: LFS
DRAWING NO.:
FL-28832.3
SHEET 11 OF 12

BILL OF MATERIALS

ITEM #	DESCRIPTION	MATERIAL
A	1X BUCK (G >= 0.42)	WOOD
B	2X BUCK (G >= 0.42)	WOOD
C	1/4" MAX. SHIM SPACE	-
D	1/4" X 2-3/4" PFH DeWALT OR ITW CONCRETE SCREW	STEEL
E	MASONRY - 3,000 PSI MIN. CONCRETE CONFORMING TO ACI 301 OR HOLLOW BLOCK CONFORMING TO ASTM C90	CONCRETE
F	#10 X 2-1/2" PFH WOOD SCREW (1.15" MIN. EMBEDMENT)	STEEL
G	3/16" X 3-1/4" PFH ITW CONCRETE SCREW	STEEL
H	1/4" X 2-1/4" PFH DeWALT OR ITW CONCRETE SCREW	STEEL
J	1/4" X 3-3/4" PFH DeWALT OR ITW CONCRETE SCREW	STEEL
K	#10 X 2" PFH WOOD SCREW	STEEL
L	#8 X 2-1/2" PFH WOOD SCREW	STEEL
M	3/16" X 2-1/4" PFH ITW CONCRETE SCREW	STEEL
P	#7 X 2-1/2" DRYWALL SCREW	STEEL
1	FINGER JOINT PINE JAMB (G >= 0.42)	WOOD
3	INTEGRAL MULLION - 1.625" WIDE (PINE, G >= 0.42)	WOOD
4	INTEGRAL MULLION - 2.5" WIDE (PINE, G >= 0.42)	WOOD
7	WEATHERSTRIP	FOAM
8	DOOR/SIDELITE BOTTOM SWEEP	VINYL
9	#9 X 1" PFH WOOD SCREW	STEEL
10	#10 X 3/4" PFH WOOD SCREW	STEEL
11	4" X 4" BUTT HINGE	STEEL
12	LATCH STRIKE PLATE	STEEL
13	DEADBOLT STRIKE PLATE	STEEL
20	INSWING THRESHOLD (AFCO A-125)	ALUM/WOOD
21	INSWING THRESHOLD (AFCO A-125)	ALUM/COMP
22	INSWING THRESHOLD (AFCO A-276)	ALUM/WOOD
23	INSWING THRESHOLD (AFCO A-280)	ALUM/WOOD
40	DOOR PANEL - SEE DOOR PANEL DETAIL SHEET FOR DETAILS	-
50	SIDELITE PANEL - SEE SIDELITE PANEL DETAIL SHEET FOR DETAILS	-

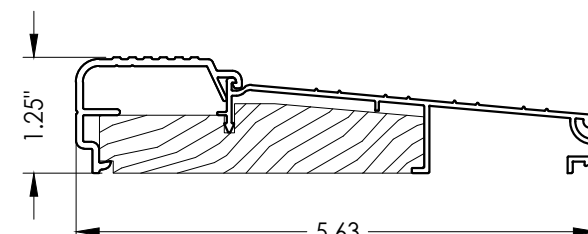
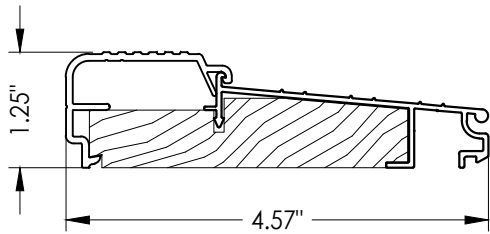
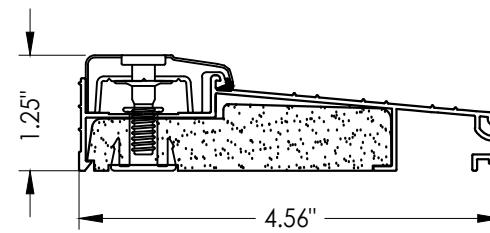
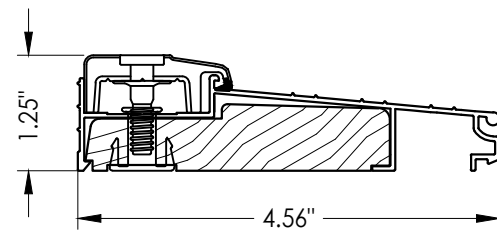
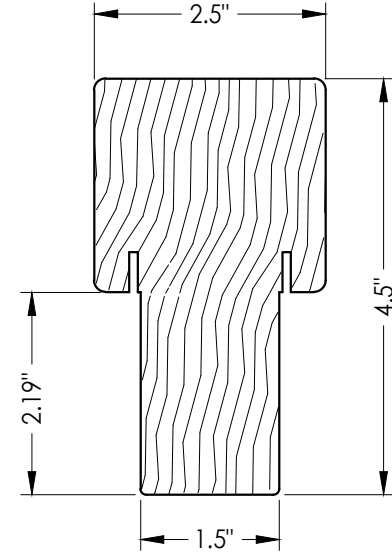
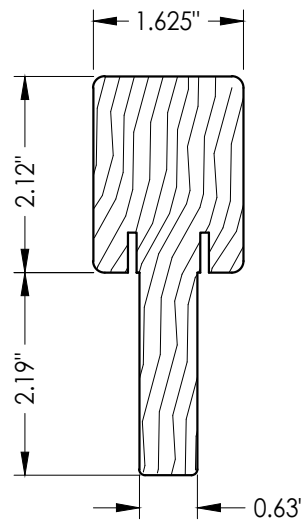
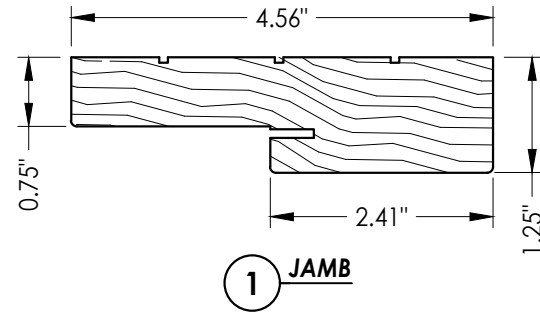
CONCRETE ANCHOR NOTES:

- Concrete anchor locations at the corners may be adjusted to maintain the min. edge distance to mortar joints.
- Concrete anchor locations noted as "MAX. ON CENTER" must be adjusted to maintain the min. edge distance to mortar joints, additional concrete anchors may be required to ensure the "MAX. ON CENTER" dimension are not exceeded.
- Concrete anchor table:

ANCHOR TYPE	ANCHOR SIZE	MIN. EMBEDMENT	MIN. CLEARANCE TO MASONRY EDGE	MIN. CLEARANCE TO ADJACENT ANCHOR
ITW BUILDEX TAPCON®	3/16"	1-1/4"	3"	1-1/2"
	1/4"	1-1/4"	2"	4"
DeWALT ULTRACON®	1/4"	1-1/4"	1"	4"

WOOD SCREW INSTALLATION NOTES:

- Maintain a minimum 5/8" edge distance, 1" end distance, & 1" o.c. spacing of wood screws to prevent the splitting of wood.



Documents Prepared By:
Lyndon F. Schmidt
P.E. No. 43409

RW BUILDING CONSULTANTS, INC.
P.O. Box 230, Valrico, FL 33595
Phone No.: 813.659.9197
FBPE Registry No. 9813

PRODUCT: DOORSCAPES
STEEL DOOR

PART OR ASSEMBLY:
BILL OF MATERIALS
& COMPONENTS

NO.	DATE	REVISIONS
2	8/01/23	UPDATE TO 8TH ED. (2023) FBC
1	8/06/20	UPDATE TO 7TH ED. (2020) FBC

DATE: 1/21/19
SCALE: N.T.S.
DWG. BY: MT
CHK. BY: LFS
DRAWING NO.: FL-28832.3
SHEET 12 OF 12